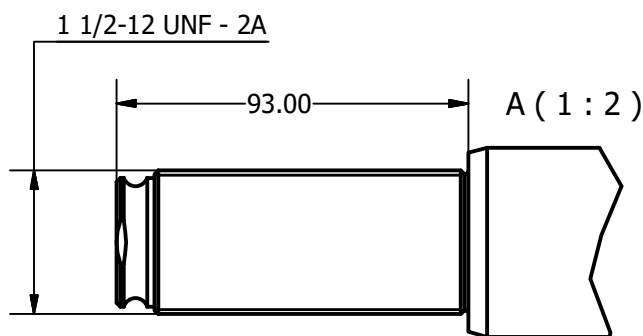
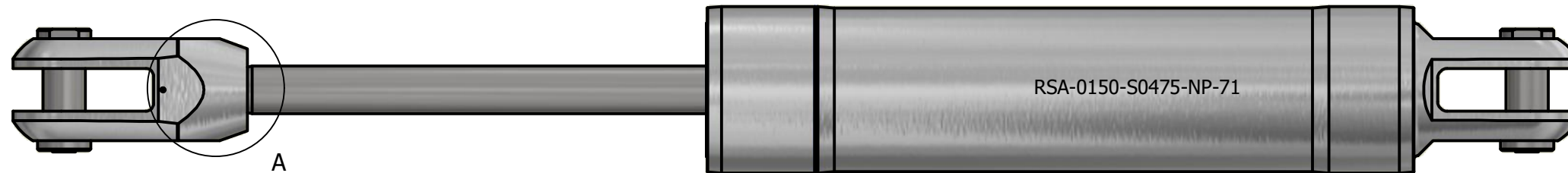
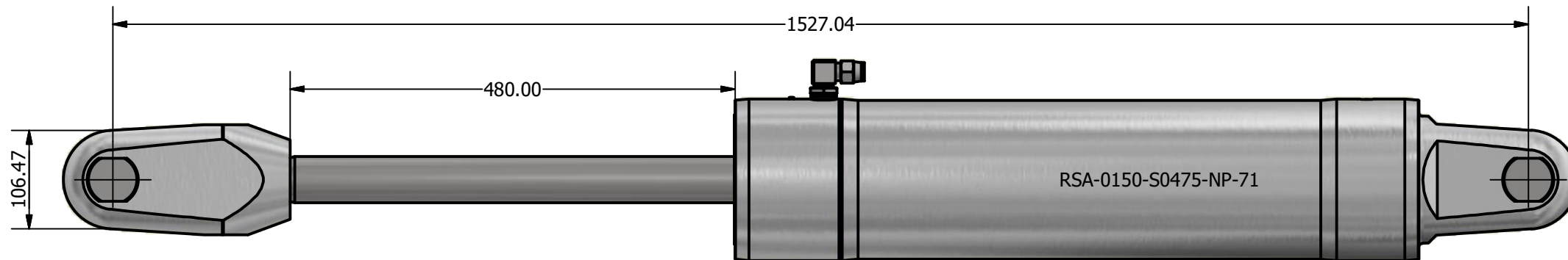
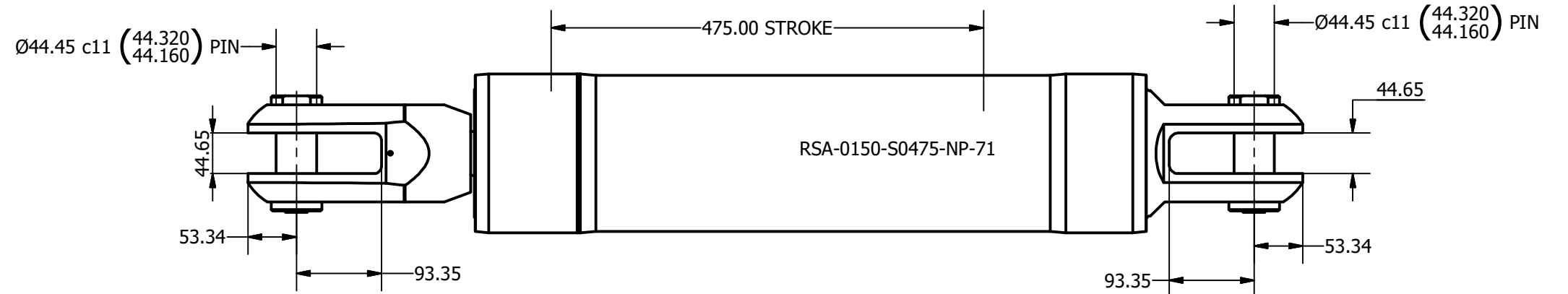
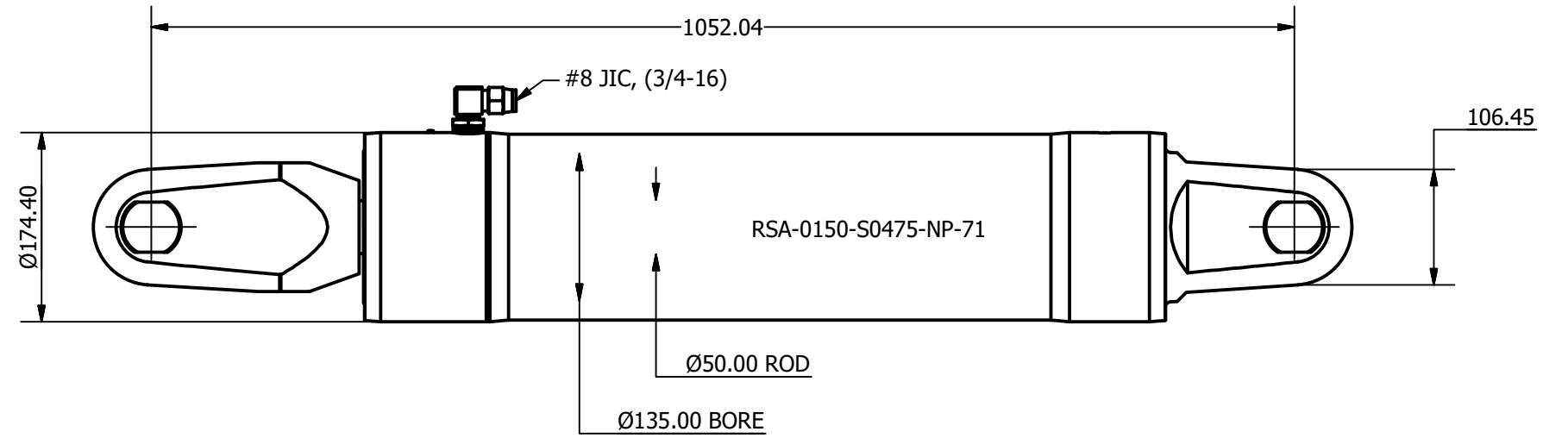

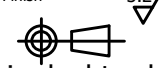


SIZE	-0150
PCLC	1052 mm
PIN / GAP	44.45 mm
BORE DIA	135 mm
ROD DIA	50 mm
STROKE	475 mm
WEIGHT	43.41 Kg
FULL BORE AREA (PUSHING/EXTENDING)	14314 mm ²
ANNULUS AREA (PULLING/RETRACTING)	12350 mm ²
OIL DISPLACEMENT (FULL BORE SIDE)	6.80 ltrs
OIL DISPLACEMENT (ANNULUS SIDE)	5.87 ltrs
MAXIMUM PUSH FORCE @ 5 BAR	730 Kg (7157 N)
PULL FORCE @ 150 BAR	18884 Kg (185256 N)
PULL FORCE @ 250 BAR	31474 Kg (308760 N)
MAX PULL FORCE @ 350 BAR (RELIEF)	44064 Kg (432264 N)



NOTE: CUSTOM STROKES, LENGTHS AND CLEVIS DIMENSIONS AVAILABLE UPON REQUEST

 Tel: +44 (0)1202 596600 www.oceanyachtsystems.co.uk	Title ALUMINIUM SINGLE ACTING GAS RETURN CYLINDER			Revision 1	Dimensions in millimeters & degrees Gen. Tolerance ± 0.25 Gen. Finish 3.2		
	Drawing No. RSA-0150-S0475-NP-71		Material	Finish AS MACHINED		 If in doubt ask!	
	Sheet 1 of 1	Scale 1:3 @ A3	Mass N/A	Date Drawn 14/06/2017	By A.N.		
© Copyright. All rights to this drawing and design are the sole property of Ocean Yacht Systems Ltd. This drawing must not be copied, communicated or loaned to any third party without the written consent of Ocean Yacht Systems Ltd.			Mat. Cert.	Insp. Lev. III	Fin. Lev. A		