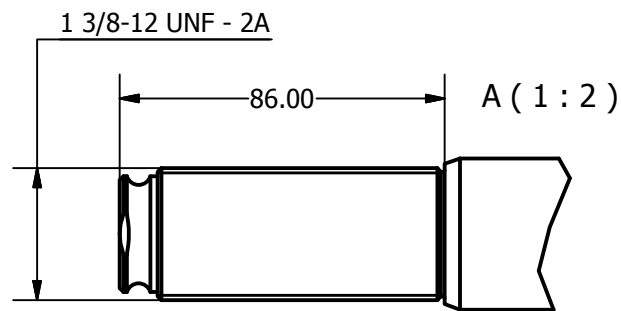
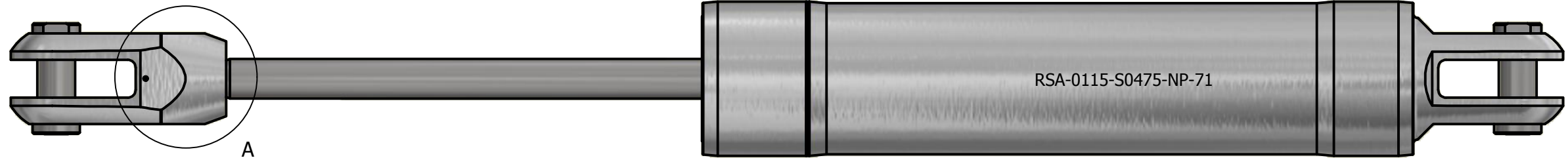
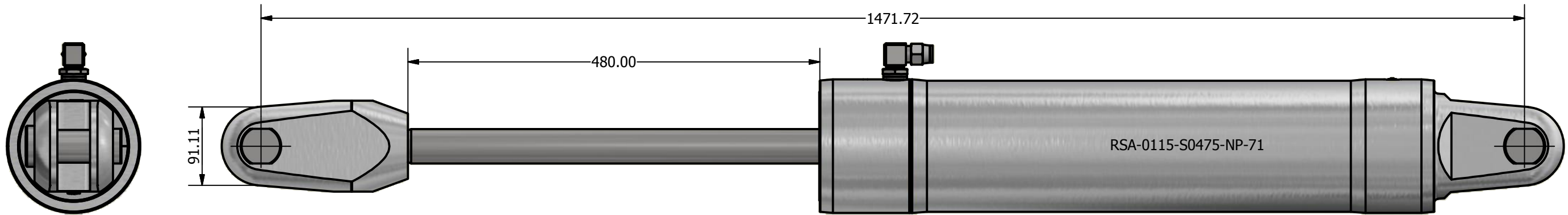
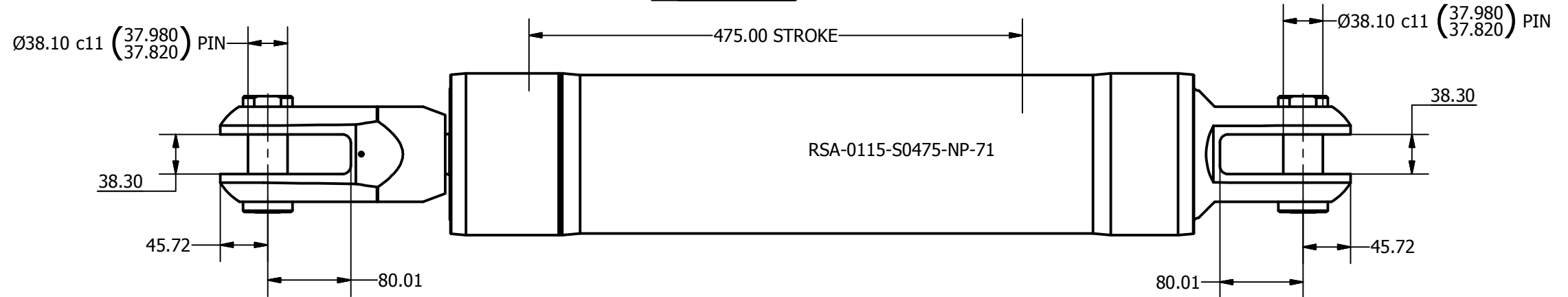
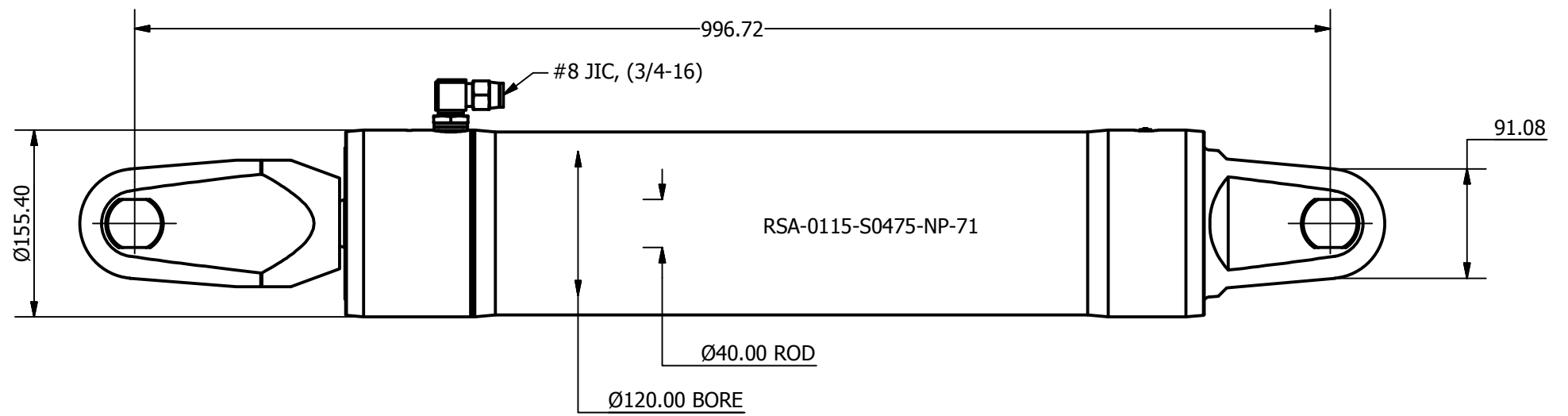

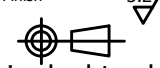


SIZE	-0115
PCLC	997 mm
PIN / GAP	38.10 mm
BORE DIA	120 mm
ROD DIA	40 mm
STROKE	475 mm
WEIGHT	32.59 Kg
FULL BORE AREA (PUSHING/EXTENDING)	11310 mm ²
ANNULUS AREA (PULLING/RETRACTING)	10053 mm ²
OIL DISPLACEMENT (FULL BORE SIDE)	5.37 ltrs
OIL DISPLACEMENT (ANNULUS SIDE)	4.78 ltrs
MAXIMUM PUSH FORCE @ 5 BAR	576 Kg (5655 N)
PULL FORCE @ 150 BAR	15327 Kg (150796 N)
PULL FORCE @ 250 BAR	25620 Kg (251327 N)
MAX PULL FORCE @ 350 BAR (RELIEF)	35867 Kg (351858 N)



NOTE: CUSTOM STROKES, LENGTHS AND CLEVIS DIMENSIONS AVAILABLE UPON REQUEST

 Tel: +44 (0)1202 596600 www.oceanyachtsystems.co.uk	Title ALUMINIUM SINGLE ACTING GAS RETURN CYLINDER			Revision 2	Dimensions in millimeters & degrees Gen. Tolerance ± 0.25 Gen. Finish 3.2				
	Drawing No. RSA-0115-S0475-NP-71		Material	Finish AS MACHINED		 If in doubt ask!			
	Sheet 1 of 1	Scale 1:3 @ A3	Mass N/A	Date Drawn 22/12/2017	By A.N.	Modified Date	By	Mat. Cert. Insp. Lev. III	Fin. Lev. A
	© Copyright. All rights to this drawing and design are the sole property of Ocean Yacht Systems Ltd. This drawing must not be copied, communicated or loaned to any third party without the written consent of Ocean Yacht Systems Ltd.								