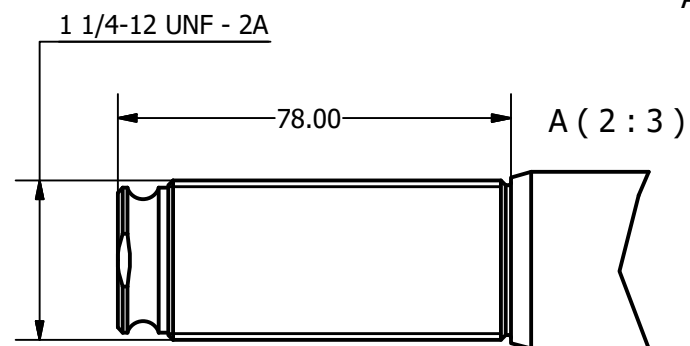
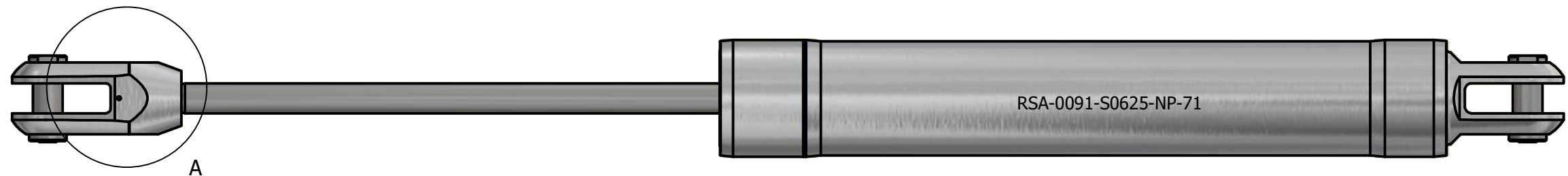
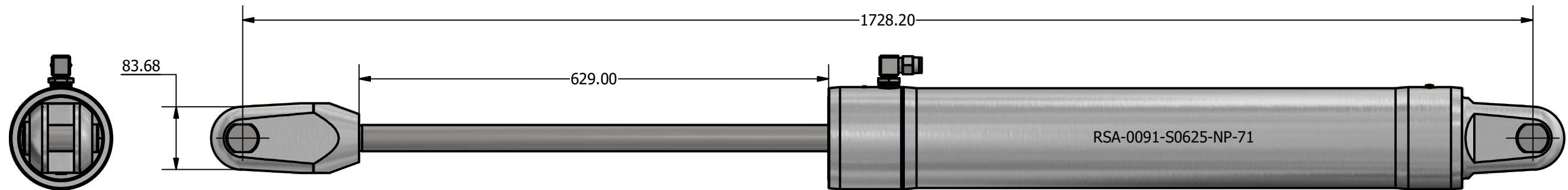
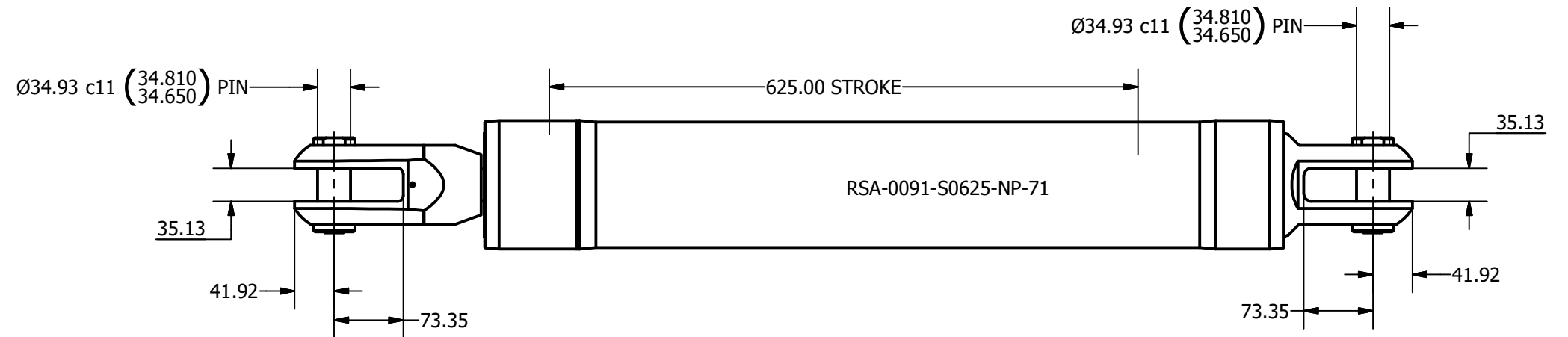
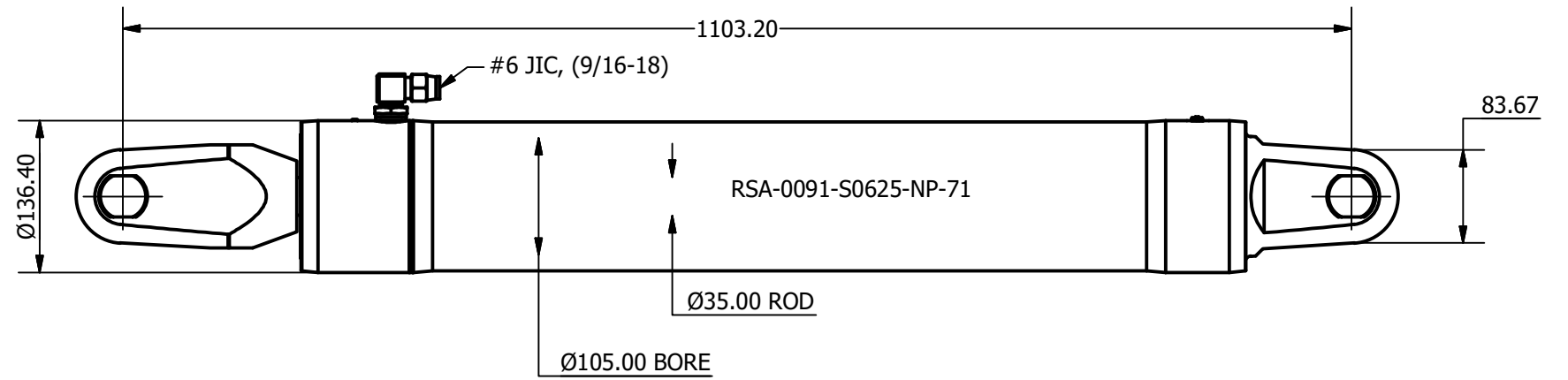

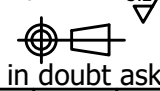


SIZE	-0091
PCLC	1103 mm
PIN / GAP	34.93 mm
BORE DIA	105 mm
ROD DIA	35 mm
STROKE	625 mm
WEIGHT	27.69 Kg
FULL BORE AREA (PUSHING/EXTENDING)	8659 mm ²
ANNULUS AREA (PULLING/RETRACTING)	7697 mm ²
OIL DISPLACEMENT (FULL BORE SIDE)	5.41 ltrs
OIL DISPLACEMENT (ANNULUS SIDE)	4.81 ltrs
MAXIMUM PUSH FORCE @ 5 BAR	441 Kg (4330 N)
PULL FORCE @ 150 BAR	9367 Kg (91892 N)
PULL FORCE @ 250 BAR	19645 Kg (192423 N)
MAX PULL FORCE @ 350 BAR (RELIEF)	27461 Kg (269392 N)



NOTE: CUSTOM STROKES, LENGTHS AND CLEVIS DIMENSIONS AVAILABLE UPON REQUEST

 Tel: +44 (0)1202 596600 www.oceanyachtsystems.co.uk	Title ALUMINIUM SINGLE ACTING GAS RETURN CYLINDER			Revision 1	Dimensions in millimeters & degrees Gen. Tolerance ± 0.25 Gen. Finish 3.2		
	Drawing No. RSA-0091-S0625-NP-71		Material	Finish AS MACHINED		 If in doubt ask!	
	Sheet 1 of 1	Scale 1:6 @ A3	Mass N/A	Date Drawn 09/08/2017	By L.R.		
	Mat. Cert.		Insp. Lev. III	Fin. Lev. A			