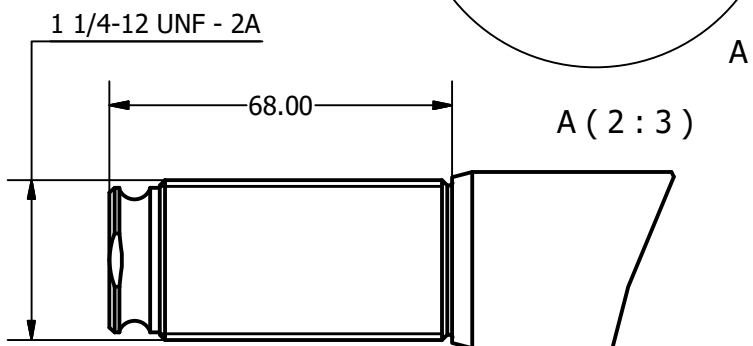
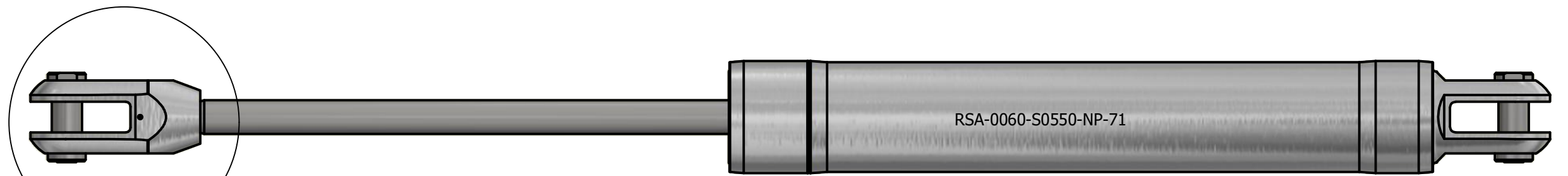
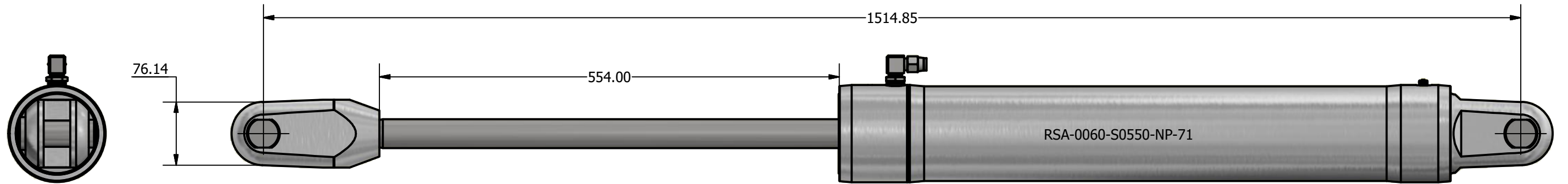
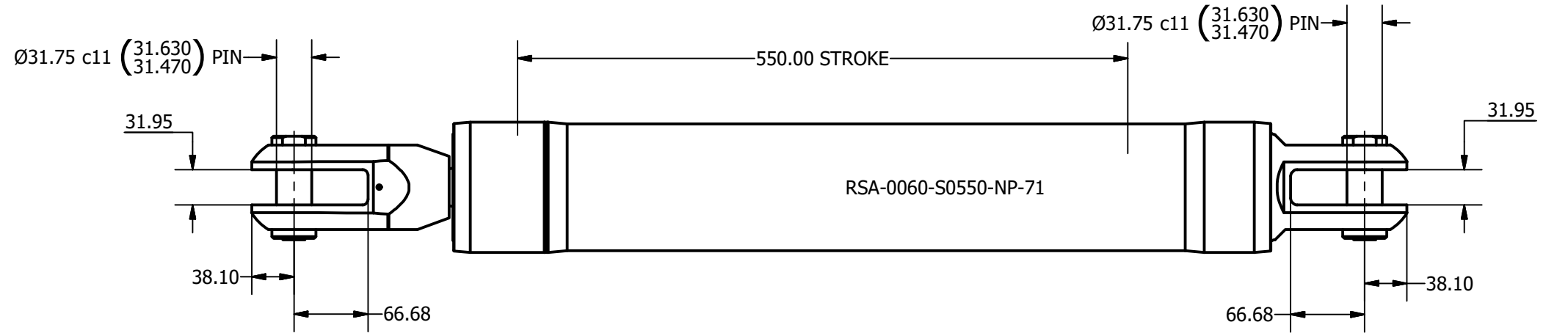
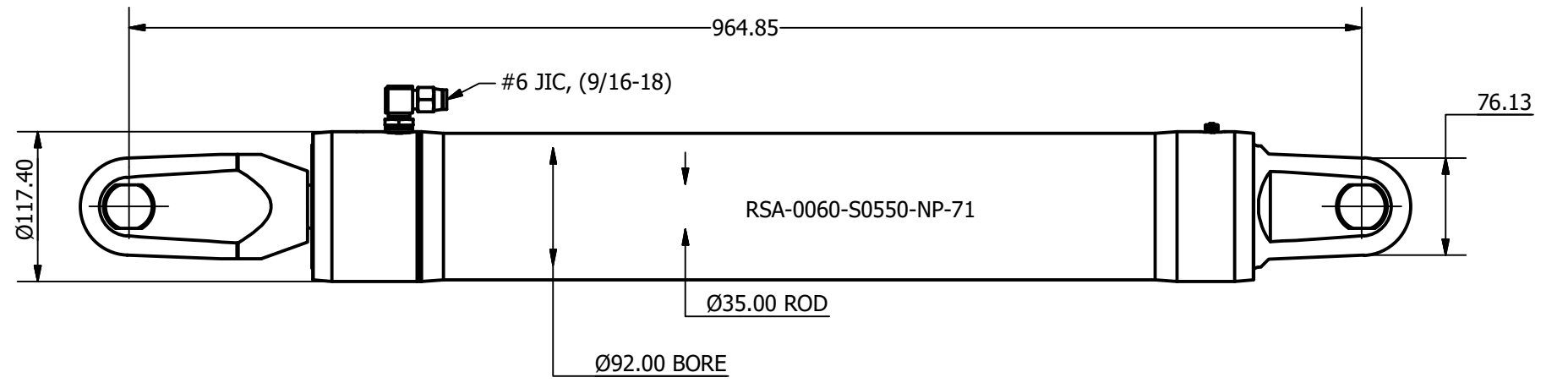

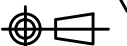


SIZE	-0060
PCLC	965 mm
PIN / GAP	31.75 mm
BORE DIA	92 mm
ROD DIA	35 mm
STROKE	550 mm
WEIGHT	19.03 Kg
FULL BORE AREA (PUSHING/EXTENDING)	6648 mm ²
ANNULUS AREA (PULLING/RETRACTING)	5685 mm ²
OIL DISPLACEMENT (FULL BORE SIDE)	3.66 ltrs
OIL DISPLACEMENT (ANNULUS SIDE)	3.13 ltrs
MAXIMUM PUSH FORCE @ 5 BAR	339 Kg (3324 N)
PULL FORCE @ 150 BAR	8693 Kg (85282 N)
PULL FORCE @ 250 BAR	14489 Kg (14217 N)
MAX PULL FORCE @ 350 BAR (RELIEF)	20285 Kg (198992 N)



NOTE: CUSTOM STROKES, LENGTHS AND CLEVIS DIMENSIONS AVAILABLE UPON REQUEST

Q:\AA BRAND HYDRAULICS\MODELS INV\RSA-71\RSA-71\RSA-0060-S0550-NP-71.idw
 Q:\AA BRAND HYDRAULICS\MODELS INV\RSA-71\RSA-71\RSA-0060-S0550-NP-71.iam

 Tel: +44 (0)1202 596600 www.oceanyachtsystems.co.uk	Title ALUMINIUM SINGLE ACTING GAS RETURN CYLINDER		Revision 1	Dimensions in millimeters & degrees Gen. Tolerance ± 0.25 Gen. Finish 3.2		
	Drawing No. RSA-0060-S0550-NP-71		Material	Finish AS MACHINED		 If in doubt ask!
Sheet 1 of 1	Scale 1:5 @ A3	Mass N/A	Date Drawn 09/08/2017	By L.R.	Modified Date	
Mat. Cert. Yes		Insp. Lev. III	Fin. Lev. A			

© Copyright. All rights to this drawing and design are the sole property of Ocean Yacht Systems Ltd. This drawing must not be copied, communicated or loaned to any third party without the written consent of Ocean Yacht Systems Ltd.