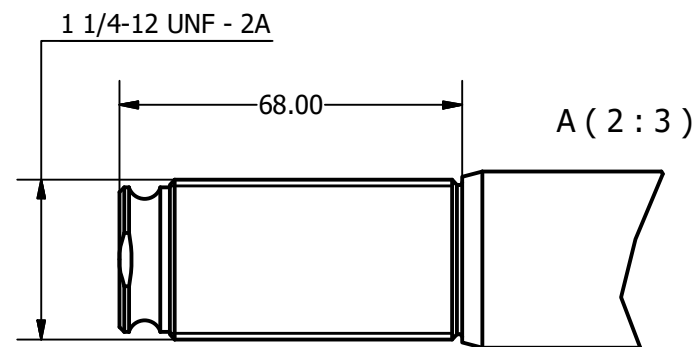
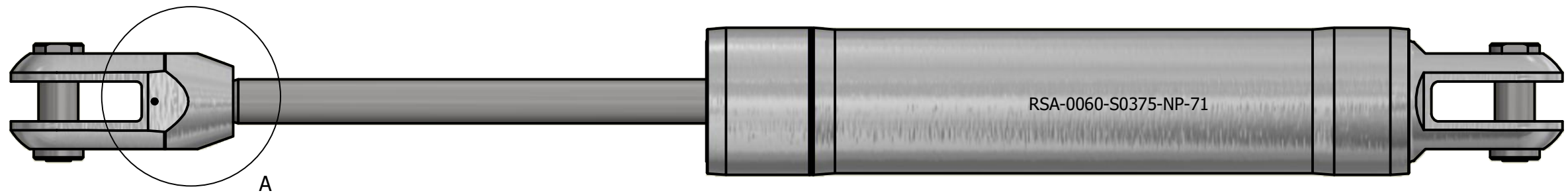
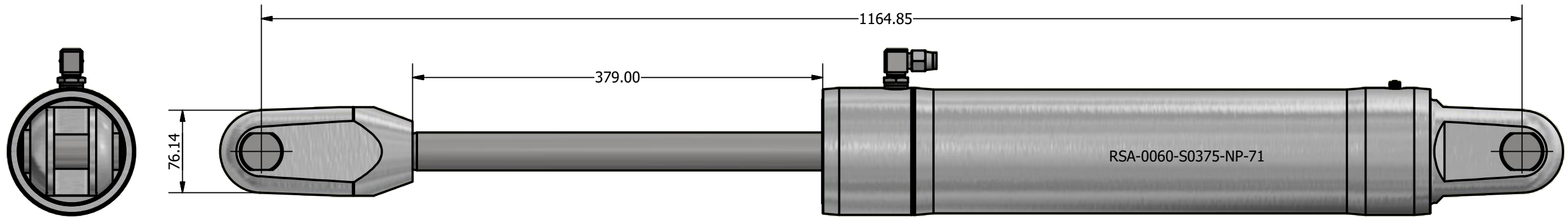
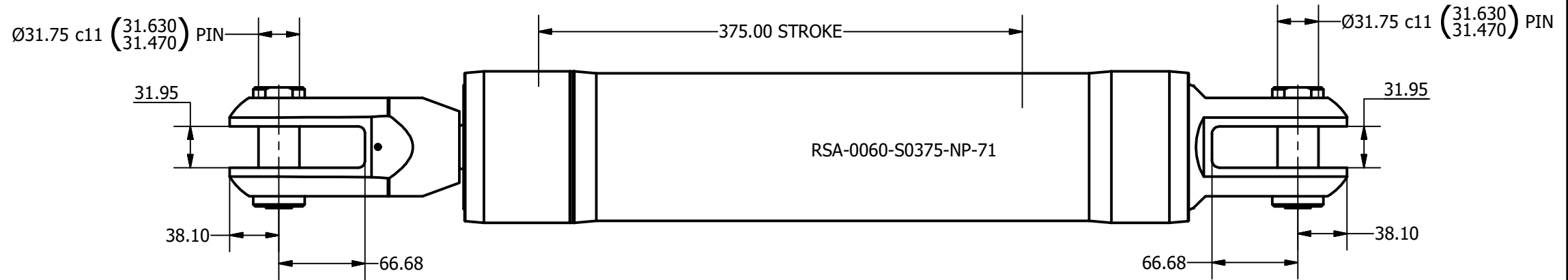
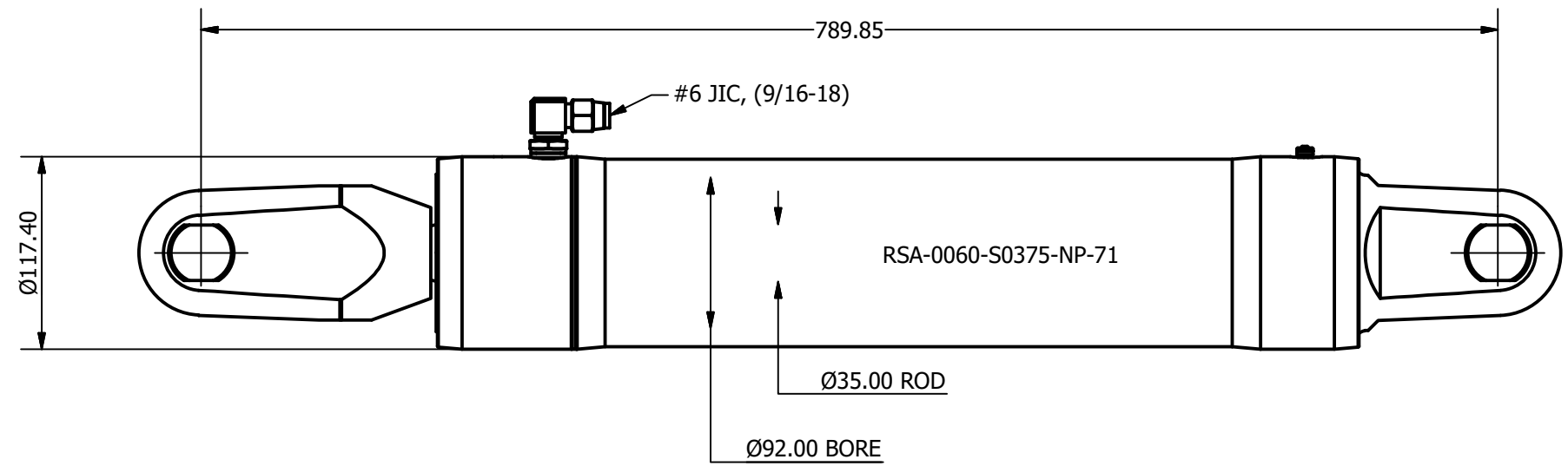

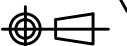


SIZE -0060
 PCLC 790 mm
 PIN / GAP 31.75 mm
 BORE DIA 92 mm
 ROD DIA 35 mm
 STROKE 375 mm
 WEIGHT 14.88 Kg
 FULL BORE AREA (PUSHING/EXTENDING) 6648 mm²
 ANNULUS AREA (PULLING/RETRACTING) 5685 mm²
 OIL DISPLACEMENT (FULL BORE SIDE) 2.49 ltrs
 OIL DISPLACEMENT (ANNULUS SIDE) 2.13 ltrs
 MAXIMUM PUSH FORCE @ 5 BAR 339 Kg (3324 N)
 PULL FORCE @ 150 BAR 8693 Kg (85282 N)
 PULL FORCE @ 250 BAR 14489 Kg (14217 N)
 MAX PULL FORCE @ 350 BAR (RELIEF) 20285 Kg (198992 N)



NOTE: CUSTOM STROKES, LENGTHS AND CLEVIS DIMENSIONS AVAILABLE UPON REQUEST

 Tel: +44 (0)1202 596600 www.oceanyachtsystems.co.uk	Title ALUMINIUM SINGLE ACTING GAS RETURN CYLINDER			Revision 2		Dimensions in millimeters & degrees Gen. Tolerance ± 0.25 Gen. Finish 3.2		
	Drawing No. RSA-0060-S0375-NP-71		Material	Finish AS MACHINED		 If in doubt ask!		
	Sheet 1 of 3	Scale 1:3 @ A3	Mass N/A	Date Drawn 14/06/2017	By A.N.			
	Mat. Cert.			Insp. Lev. III	Fin. Lev. A			