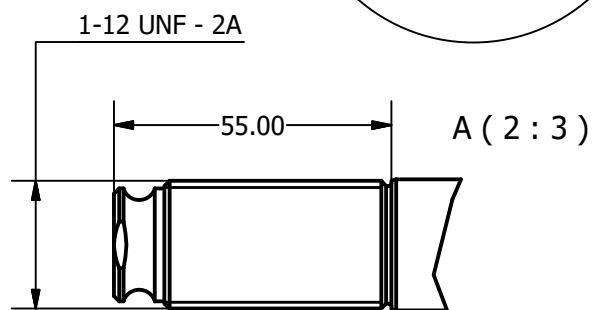
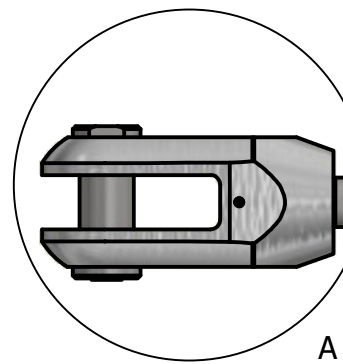
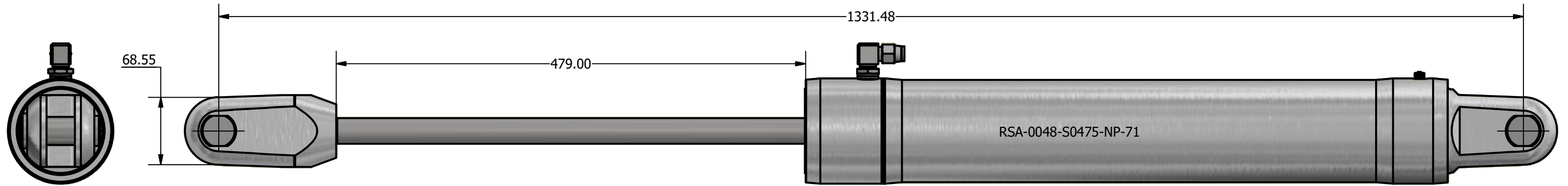
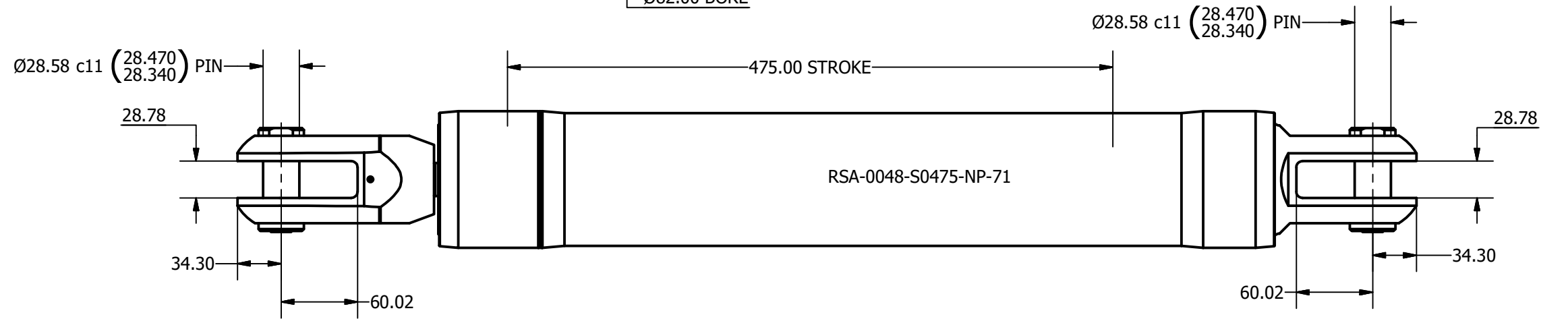
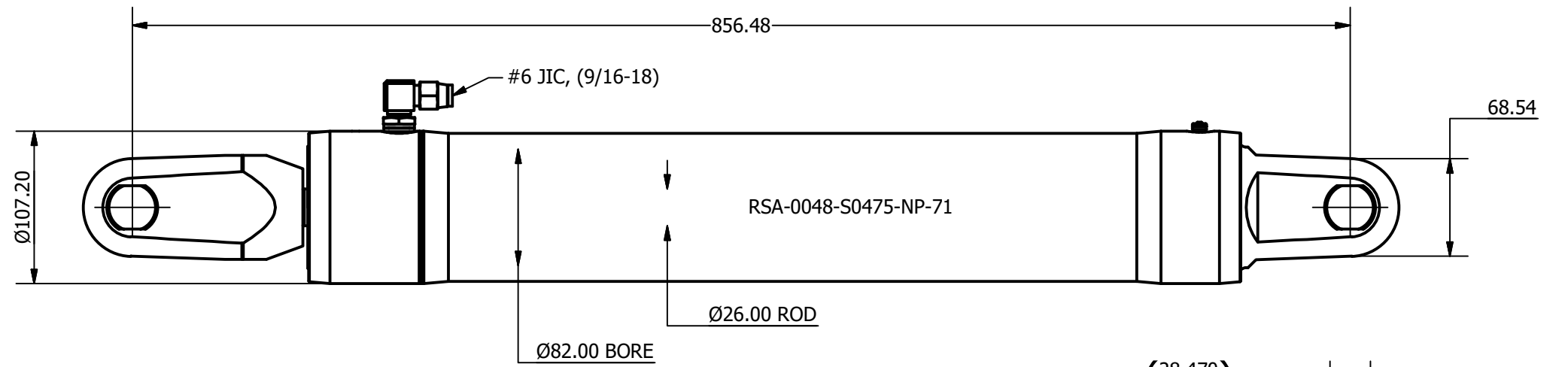




SIZE -0048  
 PCLC 856 mm  
 PIN / GAP 28.58 mm  
 BORE DIA 82 mm  
 ROD DIA 26 mm  
 STROKE 475 mm  
 WEIGHT 13.12 Kg  
 FULL BORE AREA (PUSHING/EXTENDING) 5281 mm<sup>2</sup>  
 ANNULUS AREA (PULLING/RETRACTING) 4750 mm<sup>2</sup>  
 OIL DISPLACEMENT (FULL BORE SIDE) 2.51 ltrs  
 OIL DISPLACEMENT (ANNULUS SIDE) 2.26 ltrs  
 MAXIMUM PUSH FORCE @ 5 BAR 269 Kg (2641 N)  
 PULL FORCE @ 150 BAR 7263 Kg (71251 N)  
 PULL FORCE @ 250 BAR 12105 Kg (118752 N)  
 MAX PULL FORCE @ 350 BAR (RELIEF) 16947 Kg (166253 N)



**NOTE: CUSTOM STROKES, LENGTHS AND CLEVIS DIMENSIONS AVAILABLE UPON REQUEST**

 Tel: +44 (0)1202 596600 www.oceanyachtsystems.co.uk	Title ALUMINIUM SINGLE ACTING GAS RETURN CYLINDER			Revision 1	Dimensions in millimeters & degrees Gen. Tolerance ± 0.25 Gen. Finish 3.2  If in doubt ask!
	Drawing No. RSA-0048-S0475-NP-71		Material	Finish AS MACHINED	
	Sheet 1 of 1	Scale 1:4 @ A3	Mass N/A	Date Drawn By 09/08/2017 L.R.	Modified Date By
	Mat. Cert.		Insp. Lev. III	Fin. Lev. A	