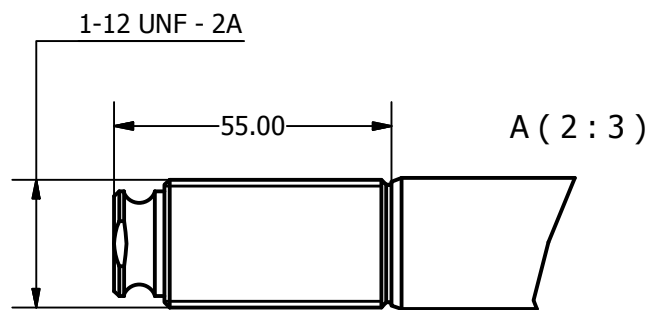
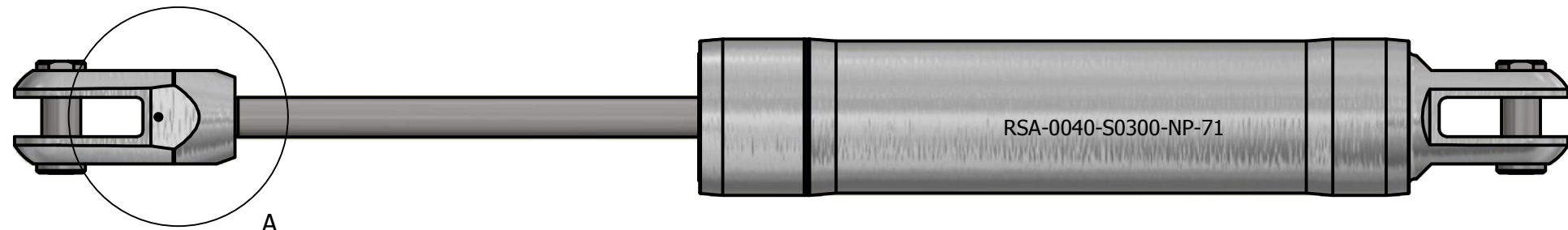
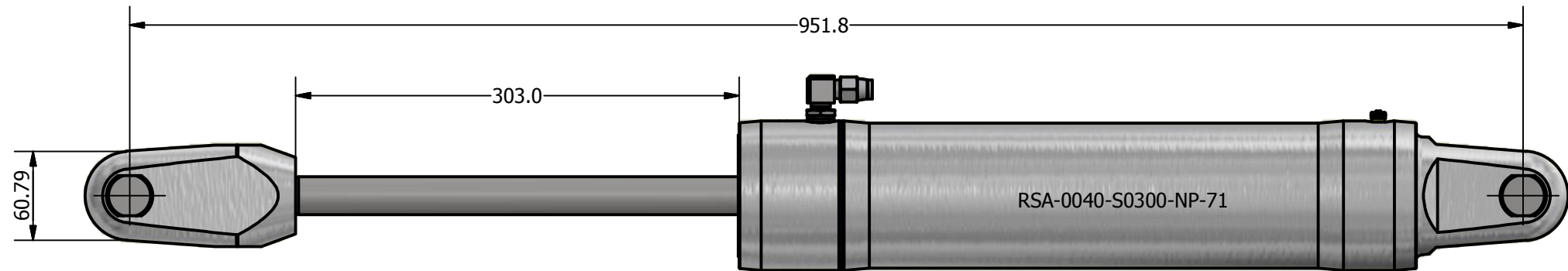
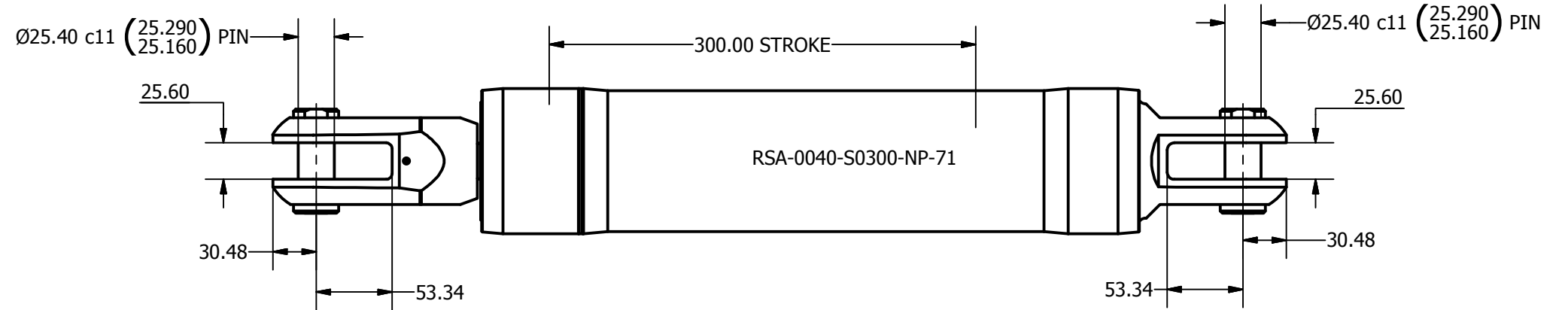
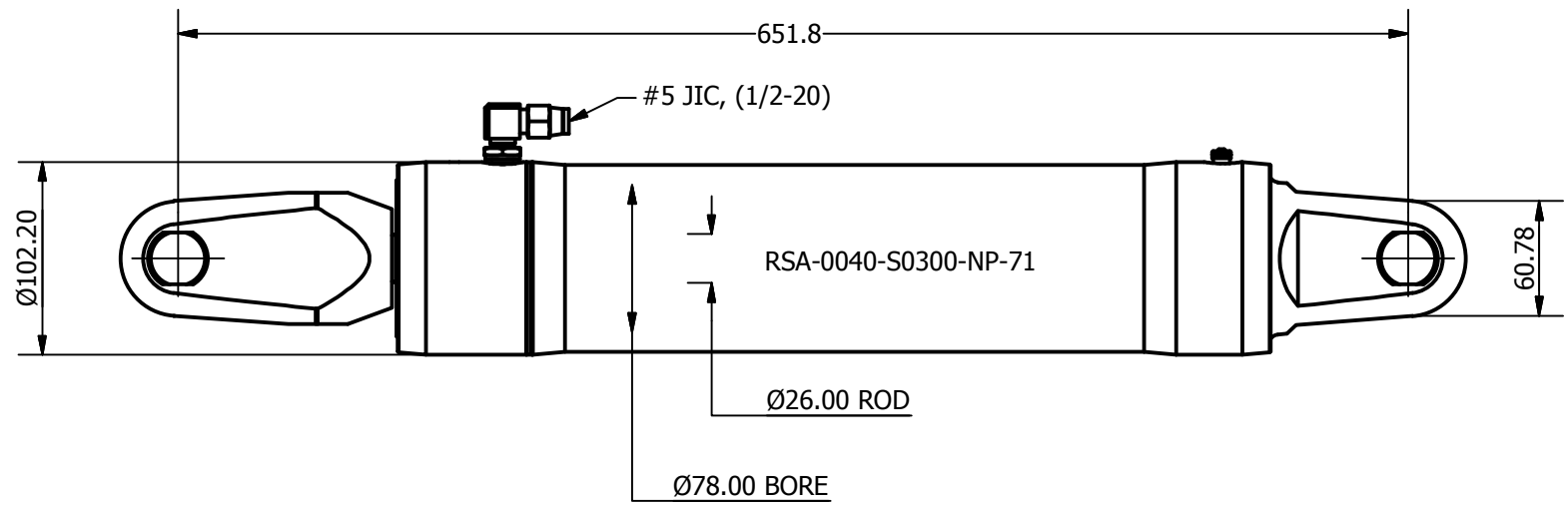

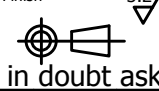


SIZE	-0040
PCLC	652 mm
PIN / GAP	25.4 mm
BORE DIA	78 mm
ROD DIA	26 mm
STROKE	300 mm
WEIGHT	9.25 Kg
FULL BORE AREA (PUSHING/EXTENDING)	4778 mm <sup>2</sup>
ANNULUS AREA (PULLING/RETRACTING)	4247 mm <sup>2</sup>
OIL DISPLACEMENT (FULL BORE SIDE)	1.43 ltrs
OIL DISPLACEMENT (ANNULUS SIDE)	1.27 ltrs
MAXIMUM PUSH FORCE @ 5 BAR	244 Kg (2389 N)
PULL FORCE @ 150 BAR	6495 Kg (63711 N)
PULL FORCE @ 250 BAR	10824 Kg (106186 N)
MAX PULL FORCE @ 350 BAR (RELIEF)	15154 Kg (148660 N)



**NOTE: CUSTOM STROKES, LENGTHS AND CLEVIS DIMENSIONS AVAILABLE UPON REQUEST**

 Tel: +44 (0)1202 596600 www.oceanyachtsystems.co.uk	Title ALUMINIUM SINGLE ACTING GAS RETURN CYLINDER			Revision A	Dimensions in millimeters & degrees Gen. Tolerance ± 0.25 Gen. Finish 3.2		
	Drawing No. RSA-0040-S0300-NP-71		Material	Finish AS MACHINED		 If in doubt ask!	
Sheet 1 of 1	Scale 1:4 @ A3	Mass N/A	Date Drawn 27/07/2017	By A.N.	Modified Date	By	Mat. Cert. Insp. Lev. Fin. Lev. III A