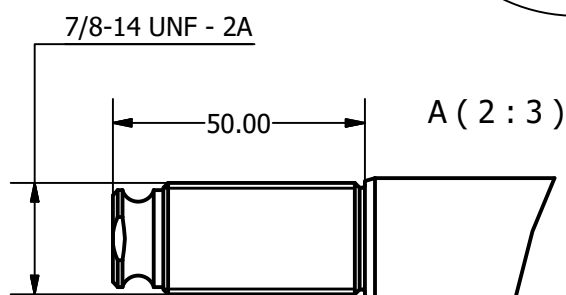
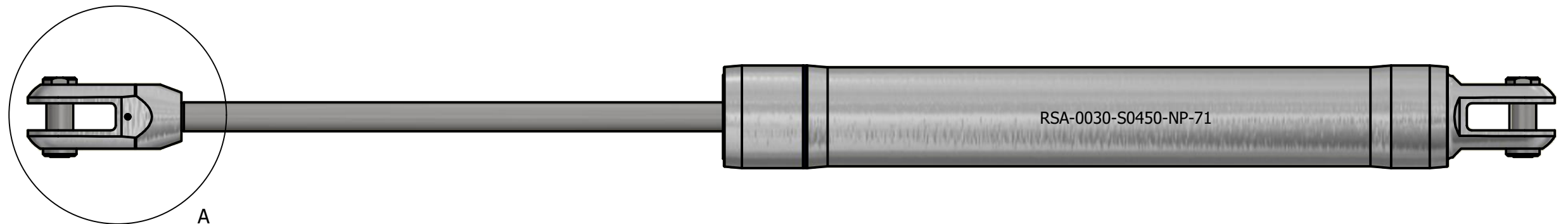
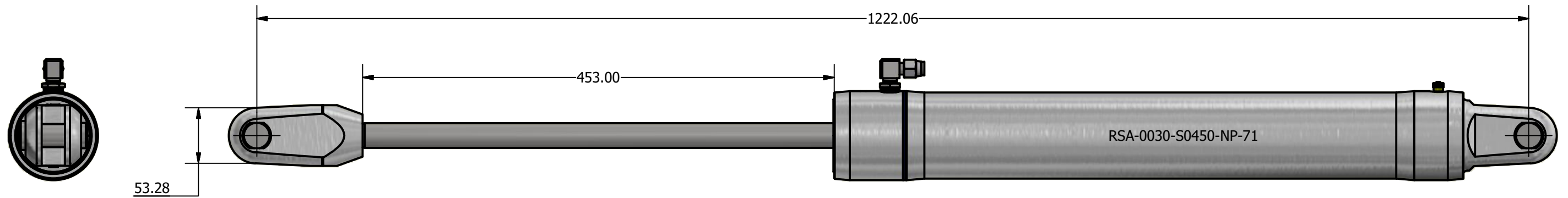
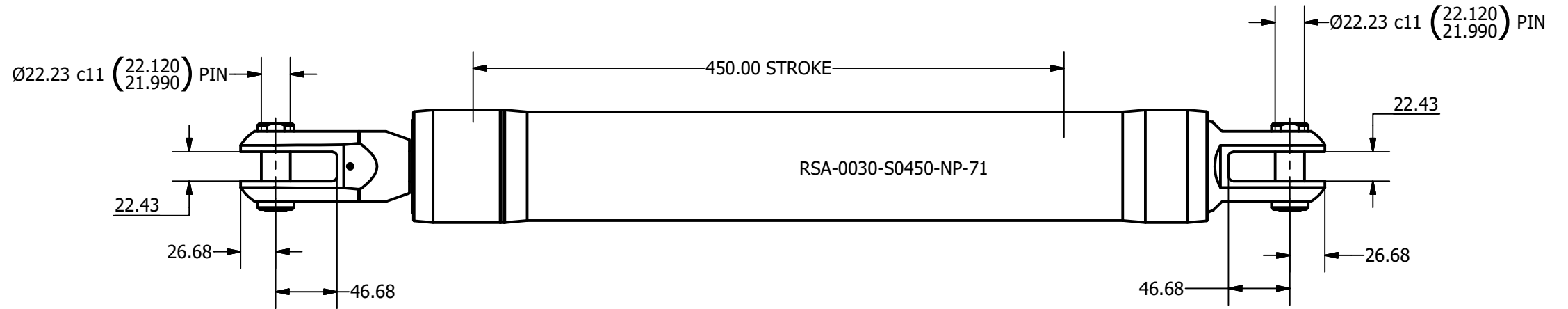
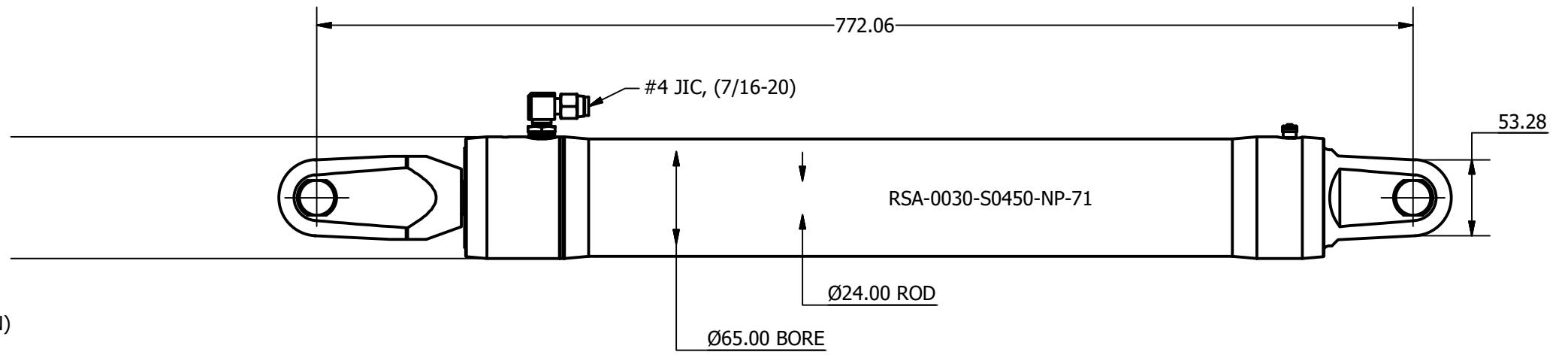

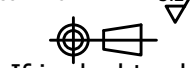


SIZE	-0030
PCLC	772 mm
PIN / GAP	22.23 mm
BORE DIA	65 mm
ROD DIA	24 mm
STROKE	450 mm
WEIGHT	7.85 Kg
FULL BORE AREA (PUSHING/EXTENDING)	3318 mm <sup>2</sup>
ANNULUS AREA (PULLING/RETRACTING)	2866 mm <sup>2</sup>
OIL DISPLACEMENT (FULL BORE SIDE)	1.49 ltrs
OIL DISPLACEMENT (ANNULUS SIDE)	1.29 ltrs
MAXIMUM PUSH FORCE @ 5 BAR	169 Kg (1659 N)
PULL FORCE @ 150 BAR	4382 Kg (42989 N)
PULL FORCE @ 250 BAR	7304 Kg (71648 N)
MAX PULL FORCE @ 350 BAR (RELIEF)	10225 Kg (100307 N)



**NOTE: CUSTOM STROKES, LENGTHS AND CLEVIS DIMENSIONS AVAILABLE UPON REQUEST**

 Tel: +44 (0)1202 596600 www.oceanyachtsystems.co.uk	Title ALUMINIUM SINGLE ACTING GAS RETURN CYLINDER (LONG)		Revision 2	Dimensions in millimeters & degrees Gen. Tolerance ± 0.25 Gen. Finish 3.2		
	Drawing No. RSA-0030-S0450-NP-71		Material	Finish AS MACHINED		 If in doubt ask!
	Sheet 1 of 1	Scale 1:3 @ A3	Mass N/A	Date Drawn 14/06/2017	By A.N.	
	Mat. Cert.			Insp. Lev. III	Fin. Lev. A	