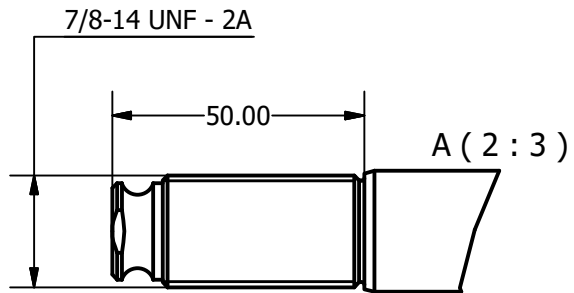
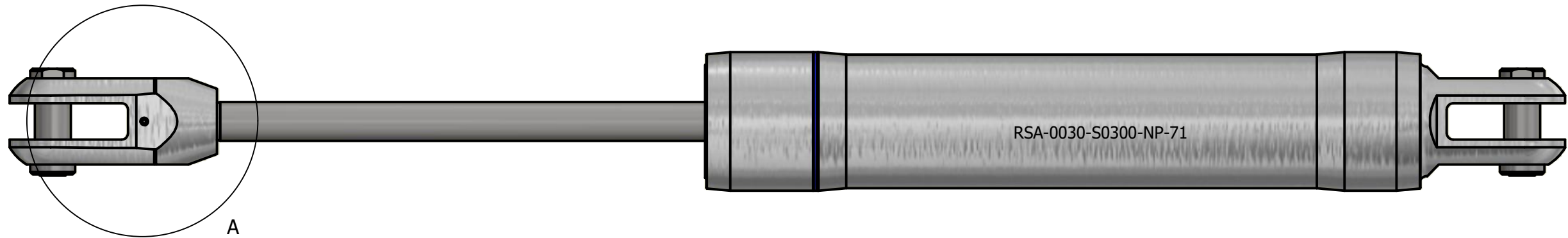
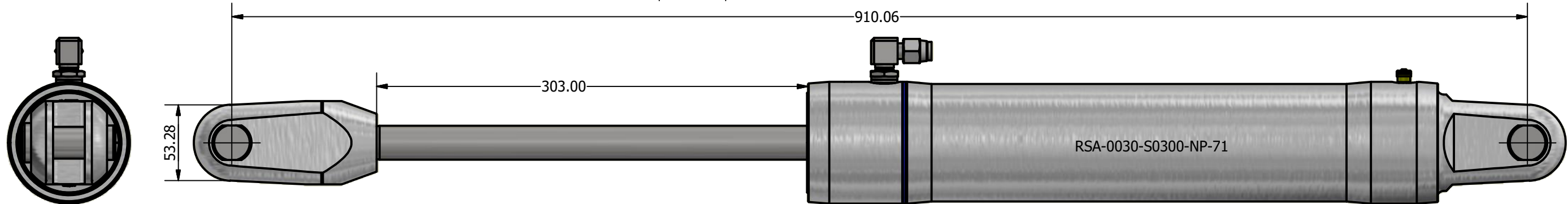
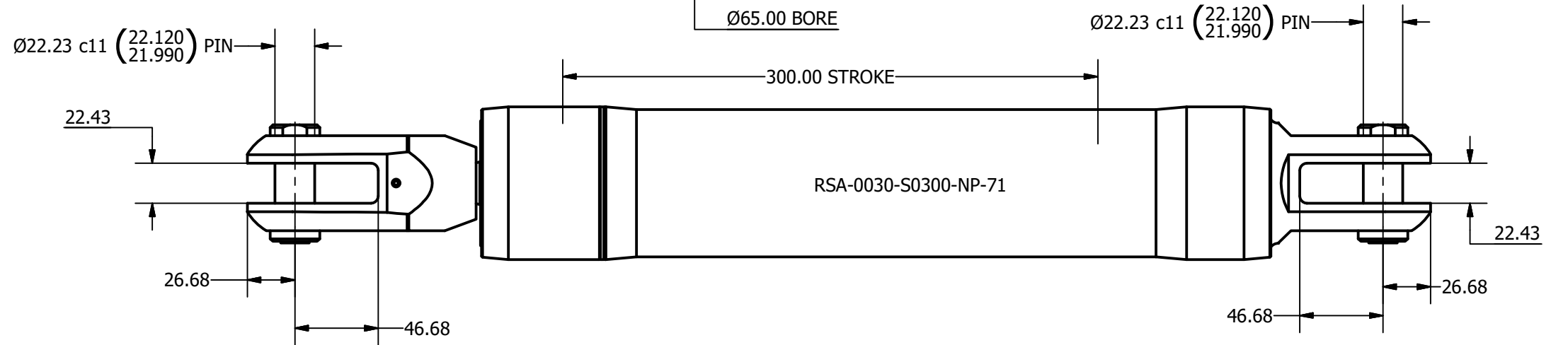
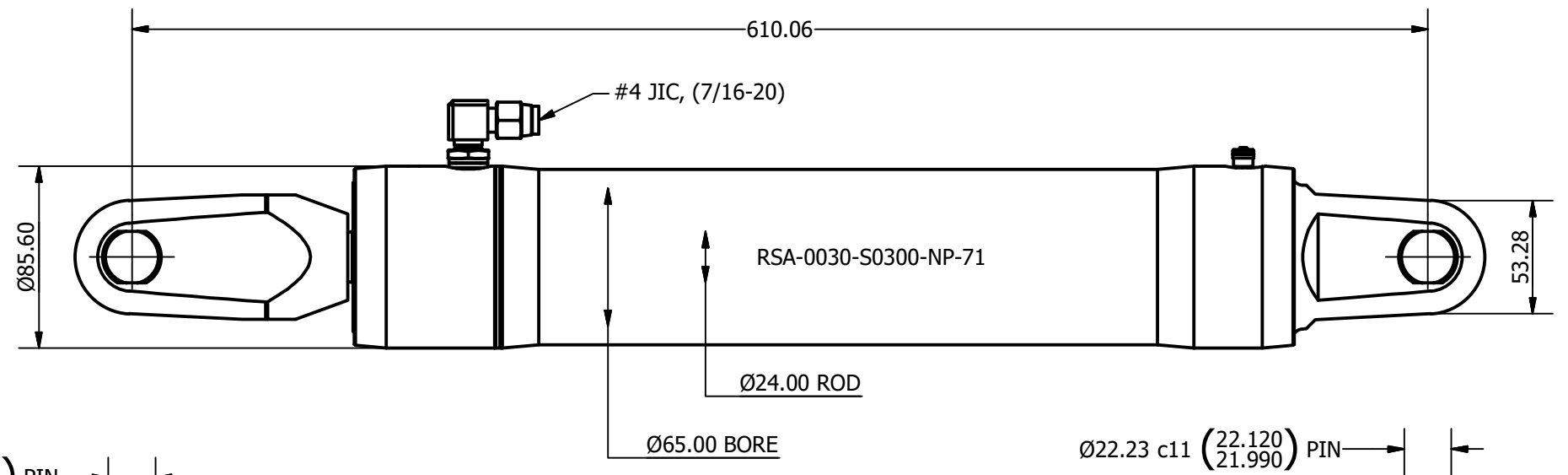

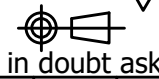


SIZE	-0030
PCLC	610 mm
PIN / GAP	22.23 mm
BORE DIA	65 mm
ROD DIA	24 mm
STROKE	300 mm
WEIGHT	6.02 Kg
FULL BORE AREA (PUSHING/EXTENDING)	3318 mm ²
ANNULUS AREA (PULLING/RETRACTING)	2866 mm ²
OIL DISPLACEMENT (FULL BORE SIDE)	1.00 ltrs
OIL DISPLACEMENT (ANNULUS SIDE)	0.86 ltrs
MAXIMUM PUSH FORCE @ 5 BAR	169 Kg (1659 N)
PULL FORCE @ 150 BAR	4382 Kg (42989 N)
PULL FORCE @ 250 BAR	7304 Kg (71648 N)
MAX PULL FORCE @ 350 BAR (RELIEF)	10225 Kg (100307 N)



NOTE: CUSTOM STROKES, LENGTHS AND CLEVIS DIMENSIONS AVAILABLE UPON REQUEST

 Tel: +44 (0)1202 596600 www.oceanyachtsystems.co.uk	Title ALUMINIUM SINGLE ACTING GAS RETURN CYLINDER			Revision 2		Dimensions in millimeters & degrees Gen. Tolerance ± 0.25 Gen. Finish 3.2		
	Drawing No. RSA-0030-S0300-NP-71		Material		Finish AS MACHINED			 If in doubt ask!
	Sheet 1 of 1	Scale 1:3 @ A3	Mass N/A	Date Drawn 14/06/2017	By A.N.	Modified Date 04/09/2017	By L.R.	
	Mat. Cert.		Insp. Lev.		Fin. Lev.			
		III		A				