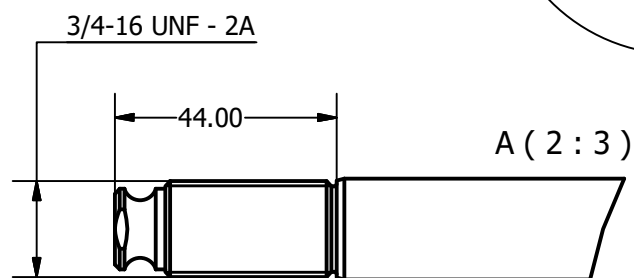
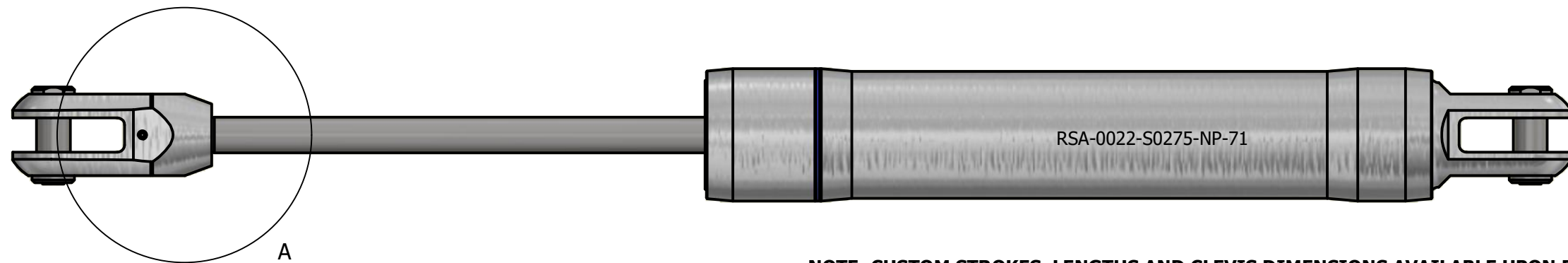
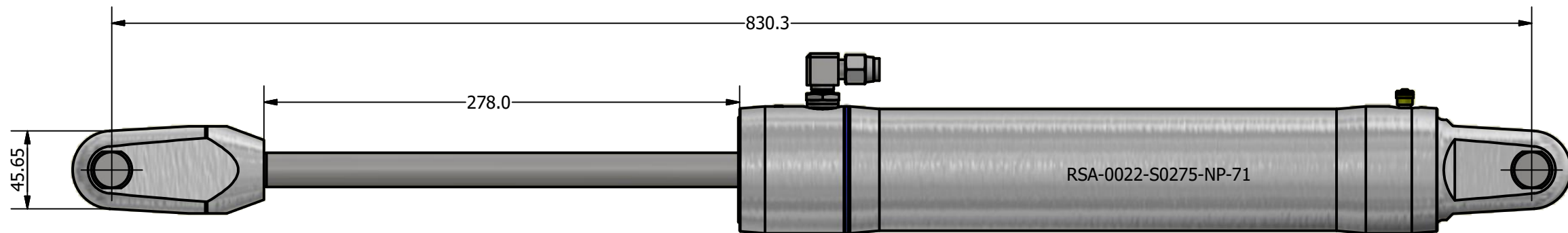
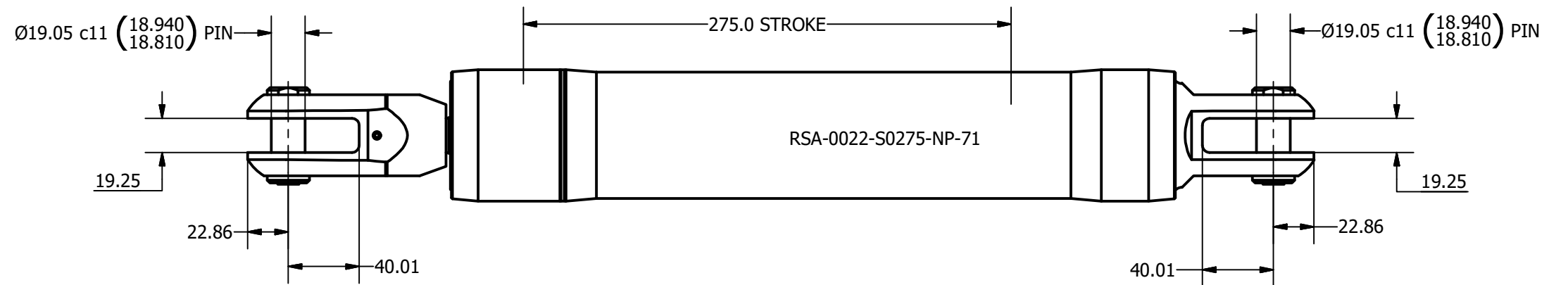
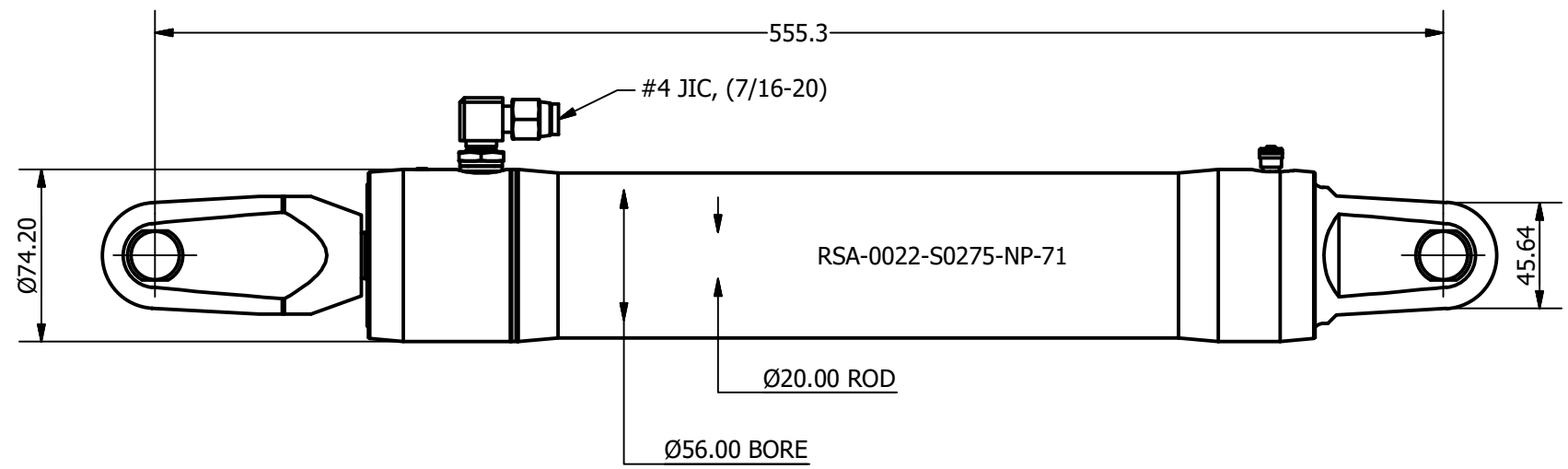

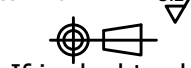


SIZE	-0022
PCLC	555 mm
PIN / GAP	19.05 mm
BORE DIA	56 mm
ROD DIA	20 mm
STROKE	275 mm
WEIGHT	4.03 Kg
FULL BORE AREA (PUSHING/EXTENDING)	2463 mm ²
ANNULUS AREA (PULLING/RETRACTING)	2149 mm ²
OIL DISPLACEMENT (FULL BORE SIDE)	0.68 ltrs
OIL DISPLACEMENT (ANNULUS SIDE)	0.59 ltrs
MAXIMUM PUSH FORCE @ 5 BAR	126 Kg (1232 N)
PULL FORCE @ 150 BAR	3286 Kg (32233 N)
PULL FORCE @ 250 BAR	5479 Kg (53721 N)
MAX PULL FORCE @ 350 BAR (RELIEF)	7667 Kg (75210 N)



NOTE: CUSTOM STROKES, LENGTHS AND CLEVIS DIMENSIONS AVAILABLE UPON REQUEST

 Tel: +44 (0)1202 596600 www.oceanyachtsystems.co.uk	Title ALUMINIUM SINGLE ACTING GAS RETURN CYLINDER		Revision 1	Dimensions in millimeters & degrees Gen. Tolerance ± 0.25 Gen. Finish 3.2		
	Drawing No. RSA-0022-S0275-NP-71		Material	Finish AS MACHINED		 If in doubt ask!
	Sheet 1 of 1	Scale 1:3 @ A3	Mass N/A	Date Drawn 14/06/2017	By A.N.	