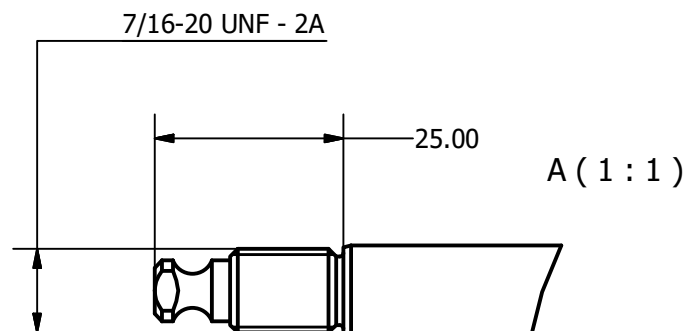
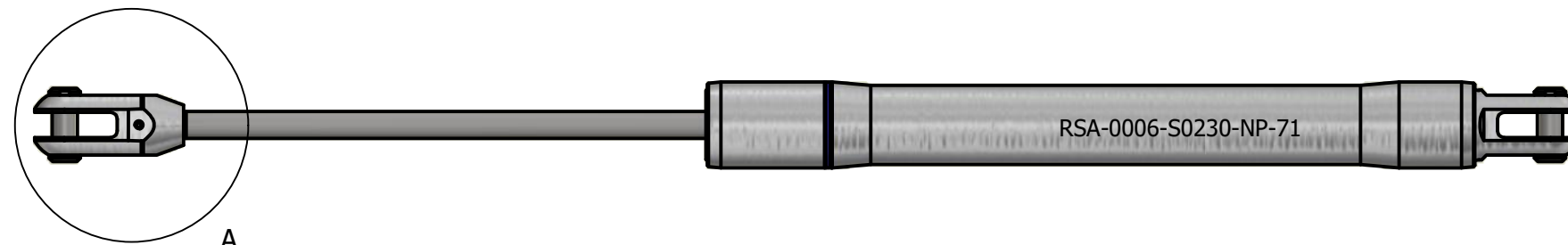
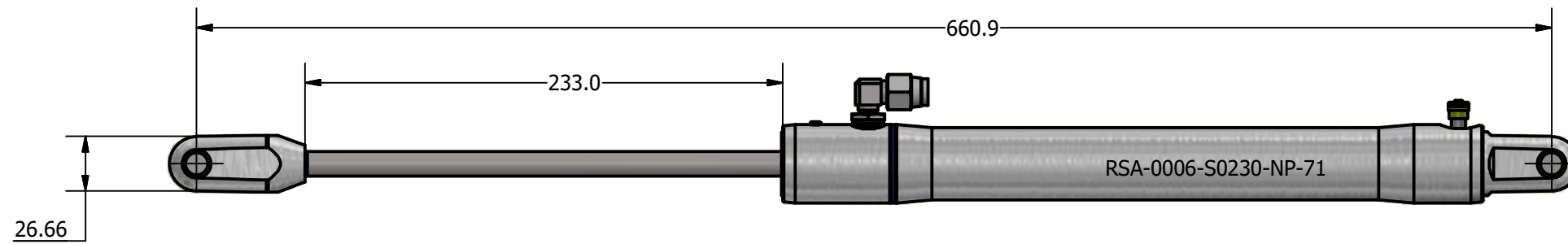
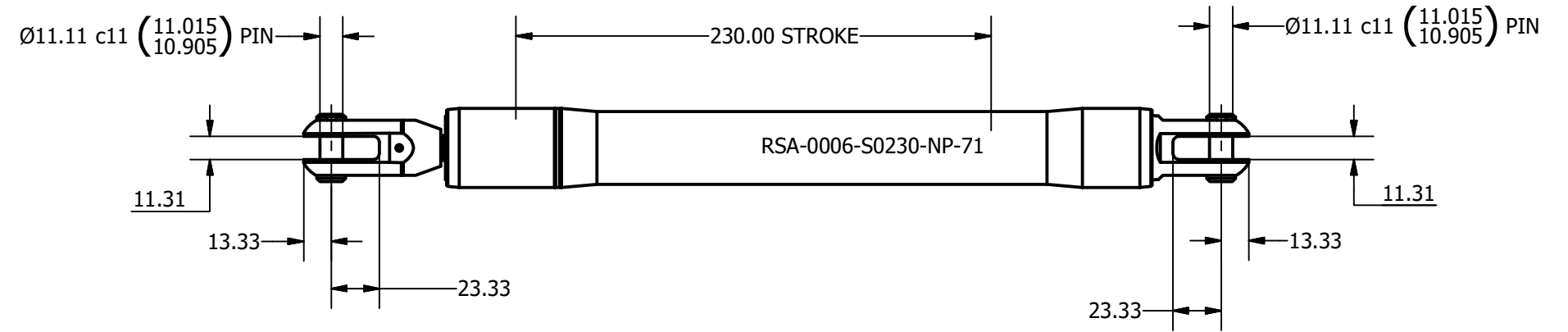
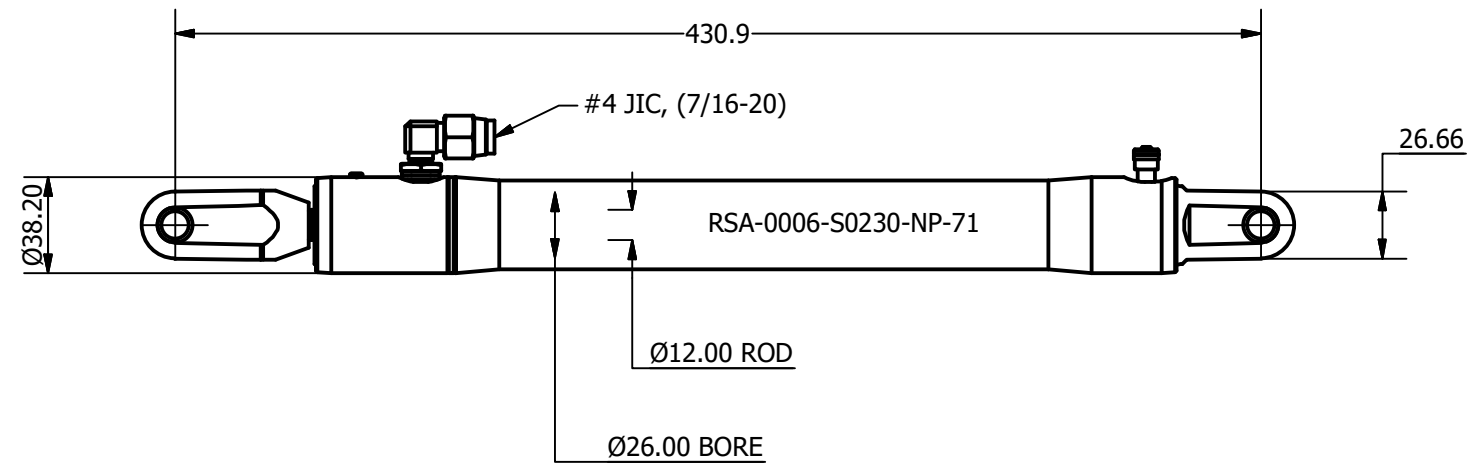

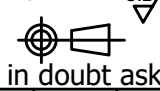


SIZE	-0006
PCLC	431 mm
PIN / GAP	11.11 mm
BORE DIA	26 mm
ROD DIA	12 mm
STROKE	230 mm
WEIGHT	0.99 Kg
FULL BORE AREA (PUSHING/EXTENDING)	531 mm ²
ANNULUS AREA (PULLING/RETRACTING)	418 mm ²
OIL DISPLACEMENT (FULL BORE SIDE)	0.12 ltrs
OIL DISPLACEMENT (ANNULUS SIDE)	0.10 ltrs
MAXIMUM PUSH FORCE @ 5 BAR	27 Kg (265 N)
PULL FORCE @ 150 BAR	639 Kg (6267 N)
PULL FORCE @ 250 BAR	1065 Kg (10446 N)
MAX PULL FORCE @ 350 BAR (RELIEF)	1491 Kg (14624 N)



NOTE: CUSTOM STROKES, LENGTHS AND CLEVIS DIMENSIONS AVAILABLE UPON REQUEST

 Tel: +44 (0)1202 596600 www.oceanyachtsystems.co.uk	Title ALUMINIUM SINGLE ACTING GAS RETURN CYLINDER		Revision 1	Dimensions in millimeters & degrees Gen. Tolerance ± 0.25 Gen. Finish 3.2		
	Drawing No. RSA-0006-S0230-NP-71		Material	Finish BLACK ANODISED		 If in doubt ask!
	Sheet 1 of 1	Scale 1:3 @ A3	Mass N/A	Date Drawn 14/06/2017	By A.N.	