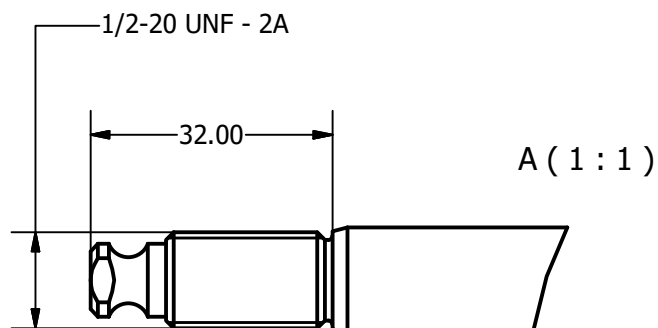
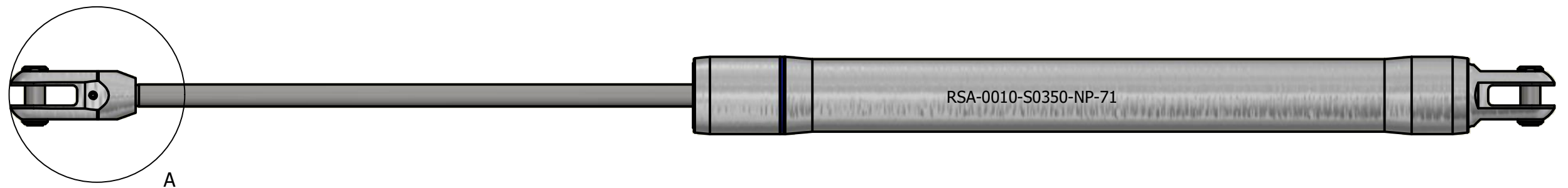
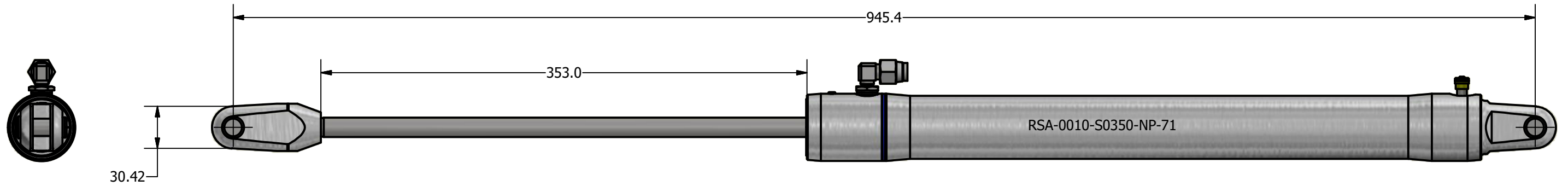
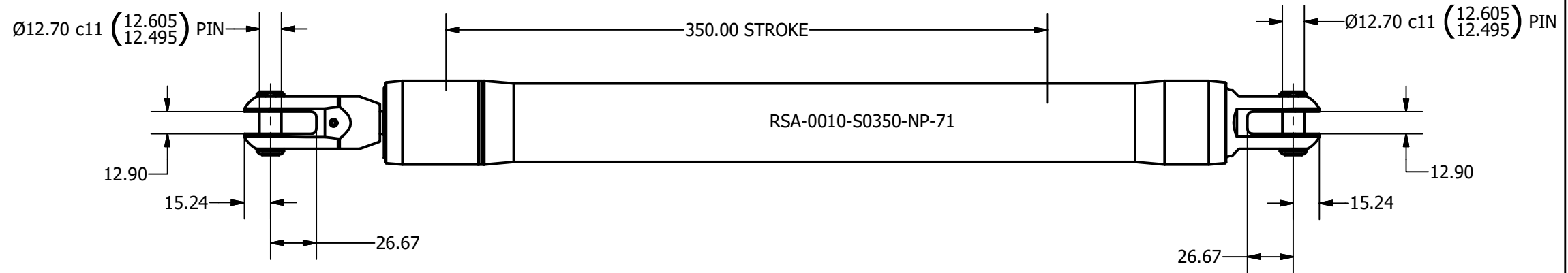
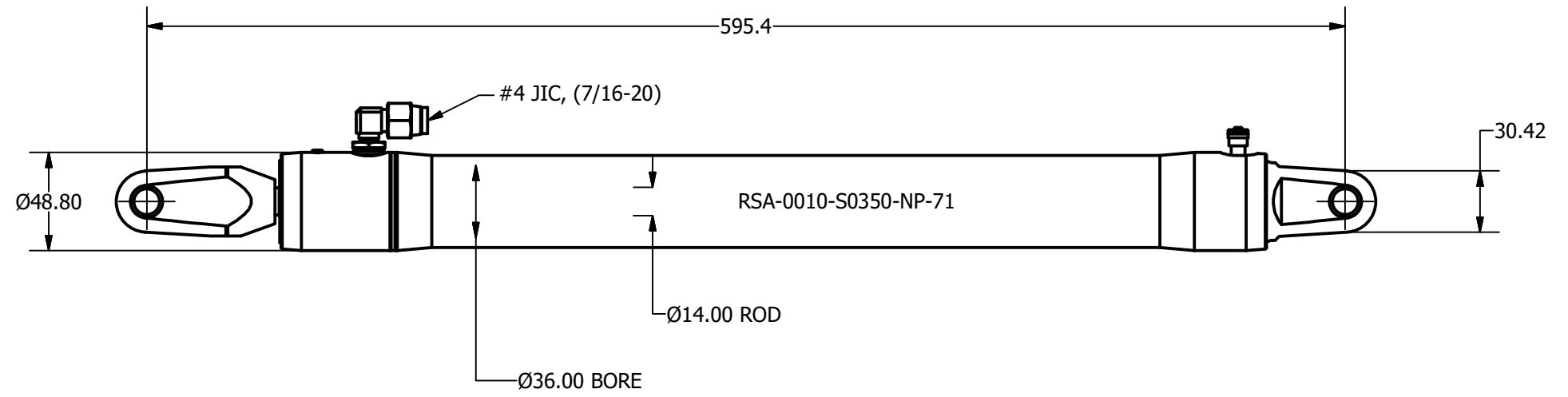

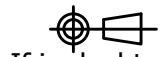


SIZE	-0010
PCLC	595 mm
PIN / GAP	12.7 mm
BORE DIA	36 mm
ROD DIA	14 mm
STROKE	350 mm
WEIGHT	1.96 Kg
FULL BORE AREA (PUSHING/EXTENDING)	1018 mm ²
ANNULUS AREA (PULLING/RETRACTING)	864 mm ²
OIL DISPLACEMENT (FULL BORE SIDE)	0.36 ltrs
OIL DISPLACEMENT (ANNULUS SIDE)	0.30 ltrs
MAXIMUM PUSH FORCE @ 5 BAR	52 Kg (509 N)
PULL FORCE @ 150 BAR	1321 Kg (12959 N)
PULL FORCE @ 250 BAR	2202 Kg (21598 N)
MAX PULL FORCE @ 350 BAR (RELIEF)	3082 Kg (30238 N)



NOTE: CUSTOM STROKES, LENGTHS AND CLEVIS DIMENSIONS AVAILABLE UPON REQUEST

 Tel: +44 (0)1202 596600 www.oceanyachtsystems.co.uk	Title ALUMINIUM SINGLE ACTING GAS RETURN CYLINDER			Revision 2	Dimensions in millimeters & degrees Gen. Tolerance ± 0.25 Gen. Finish 3.2				
	Drawing No. RSA-0010-S0350-NP-71		Material	Finish BLACK ANODISED		 If in doubt ask!			
	Sheet 1 of 1	Scale 1:3 @ A3	Mass N/A	Date Drawn 17/09/2017	By A.N.	Modified Date	By	Mat. Cert. Insp. Lev. III	Fin. Lev. A
	© Copyright. All rights to this drawing and design are the sole property of Ocean Yacht Systems Ltd. This drawing must not be copied, communicated or loaned to any third party without the written consent of Ocean Yacht Systems Ltd.								